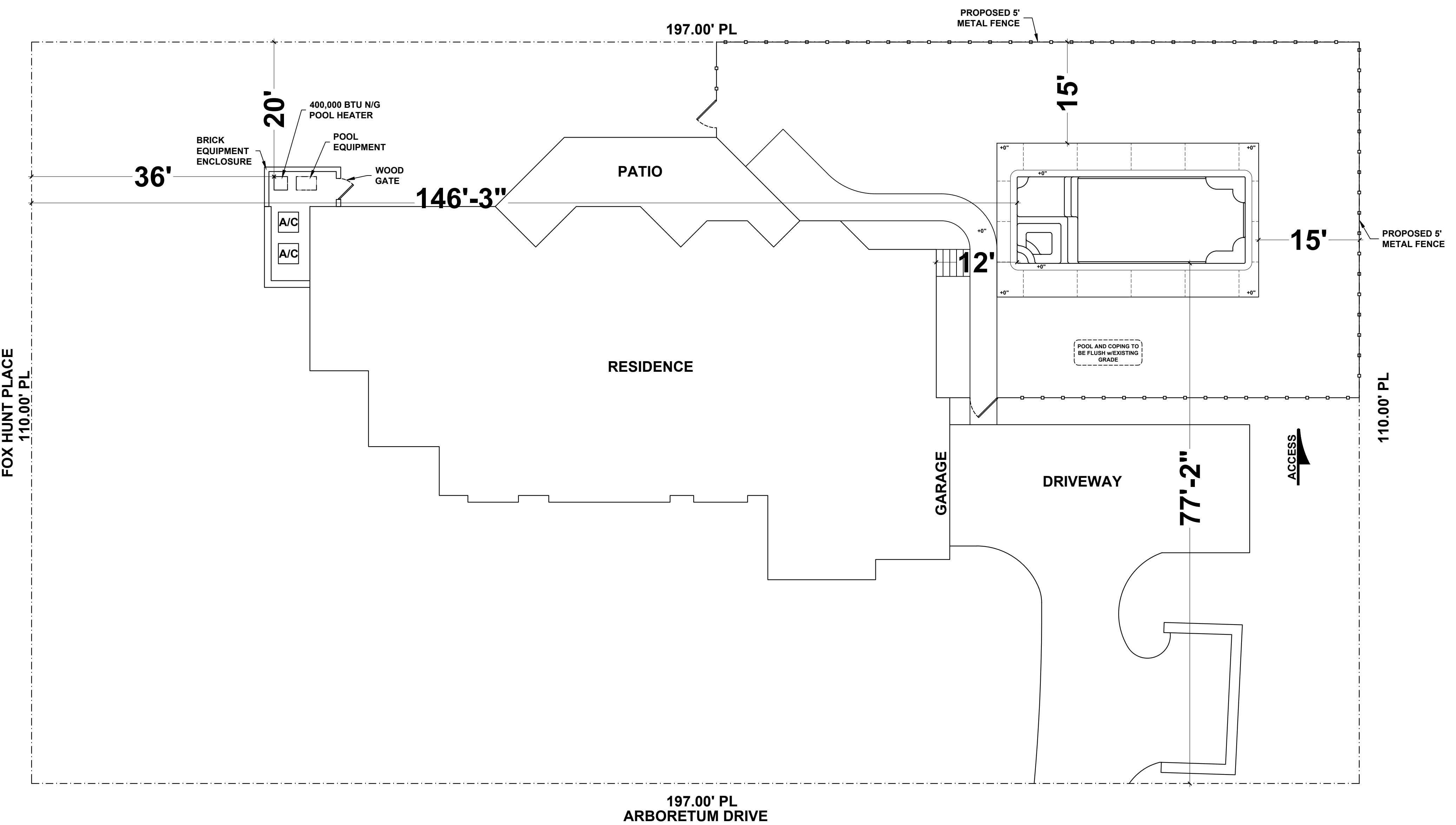
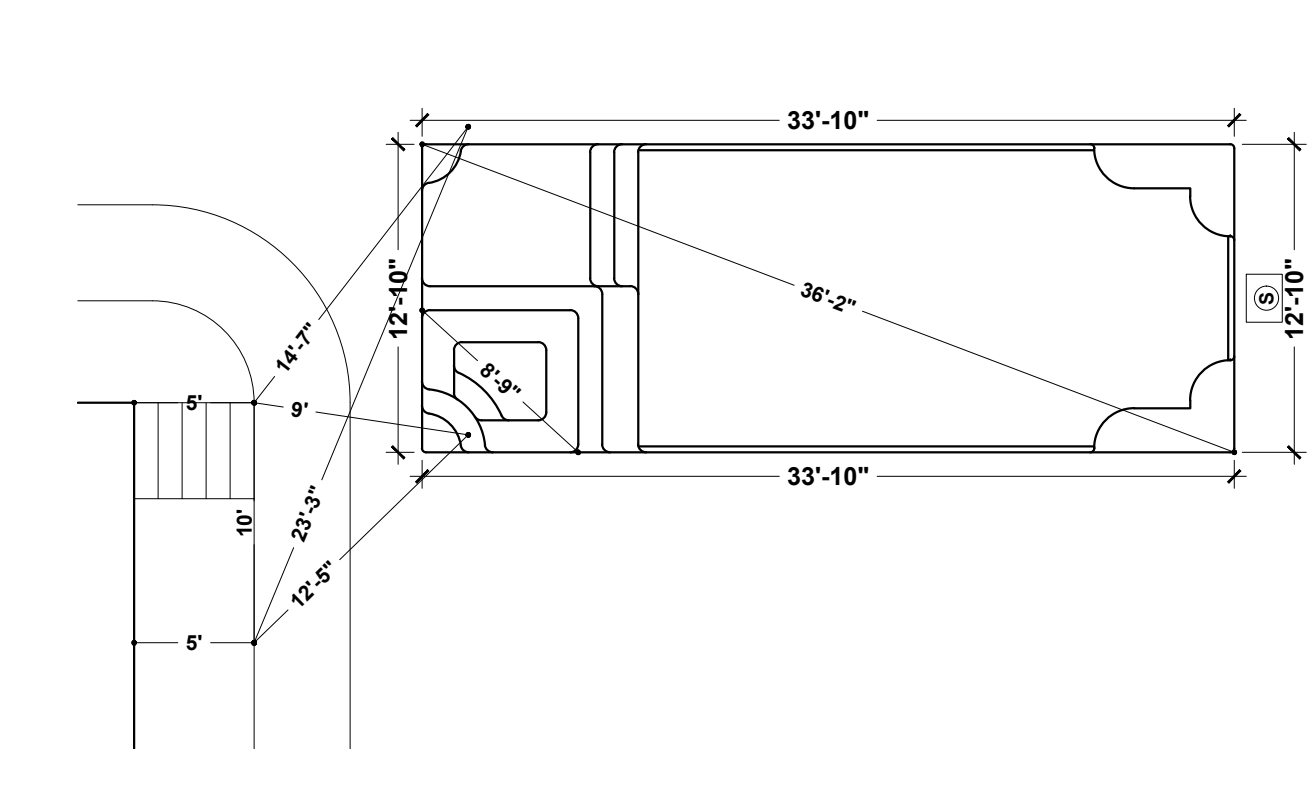


**PLOT PLAN**

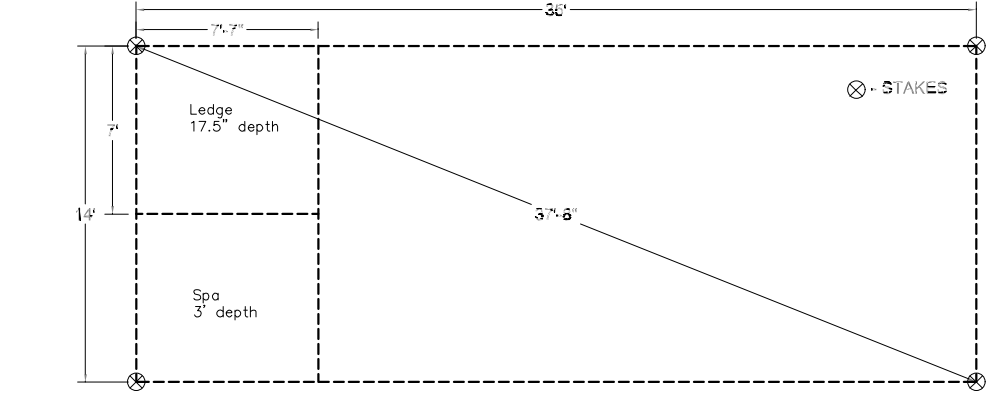


\*\*NOTE: PLANS ARE FOR REFERENCE, POOL TO BE INSTALLED ACCORDING TO MANUFACTURER'S INSTALLATION GUIDE\*\*

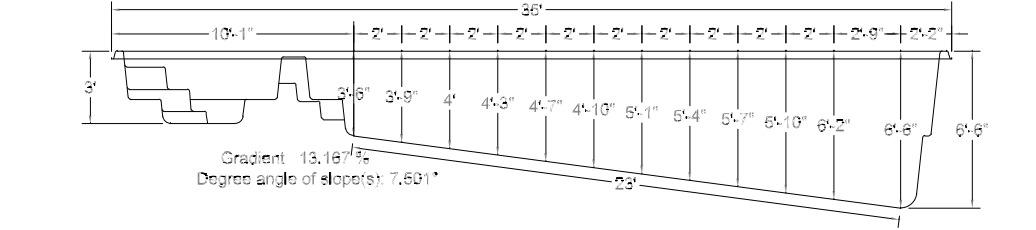
**LAYOUT PLAN**



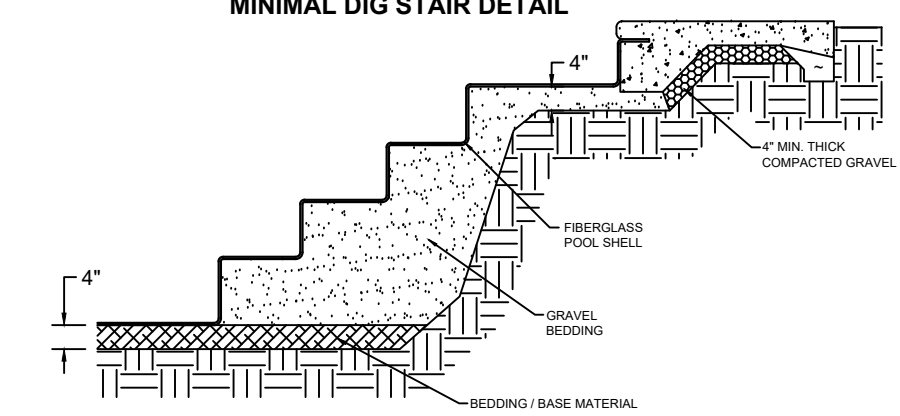
**EXCAVATION DIMENSIONS**



**POOL SHELL DEPTH DIMENSIONS**

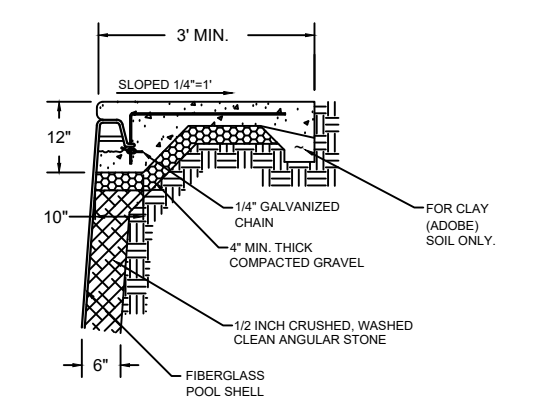


**SHEET: SUPPLEMENTAL NOT TO SCALE**

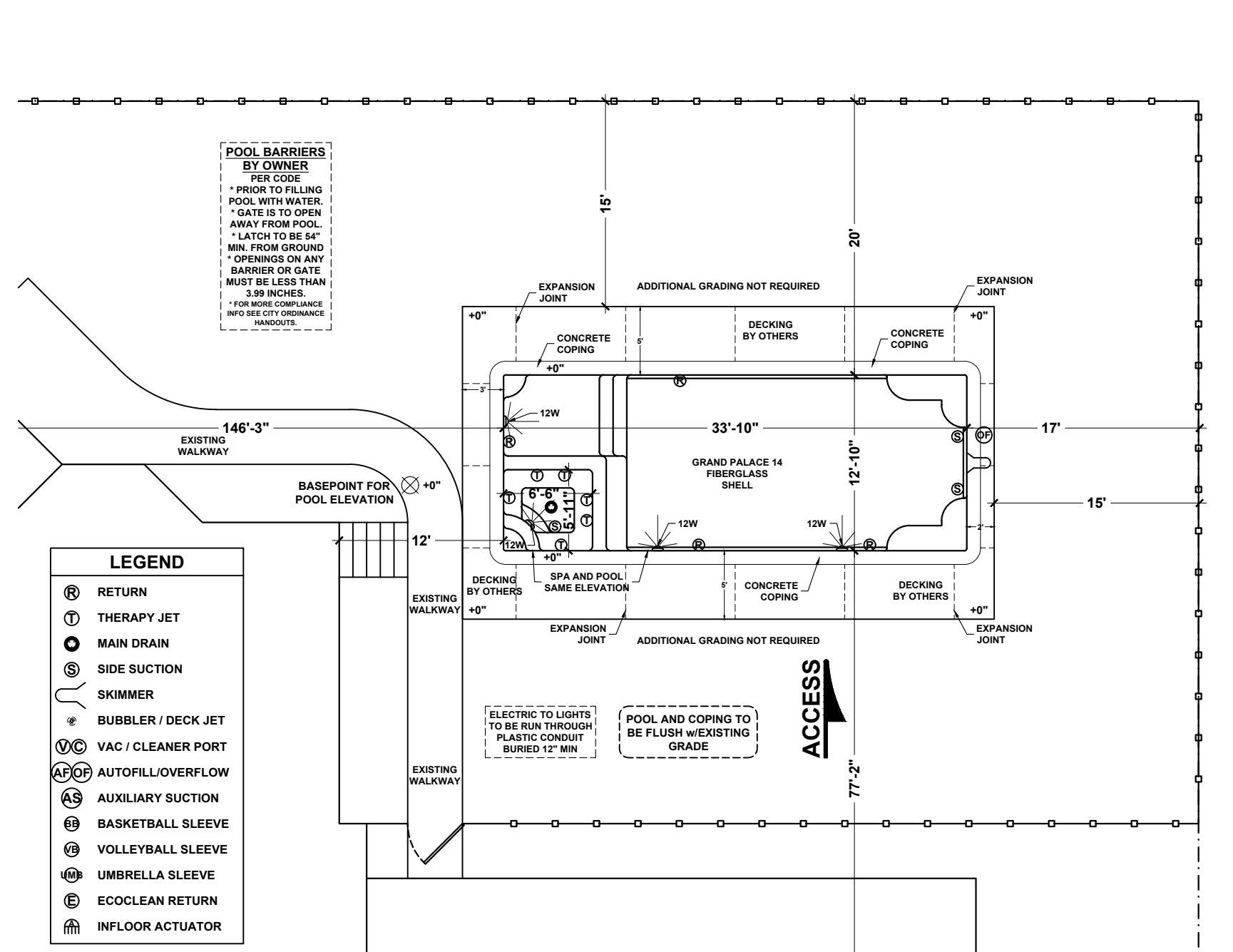


**TYPICAL DETAILS**

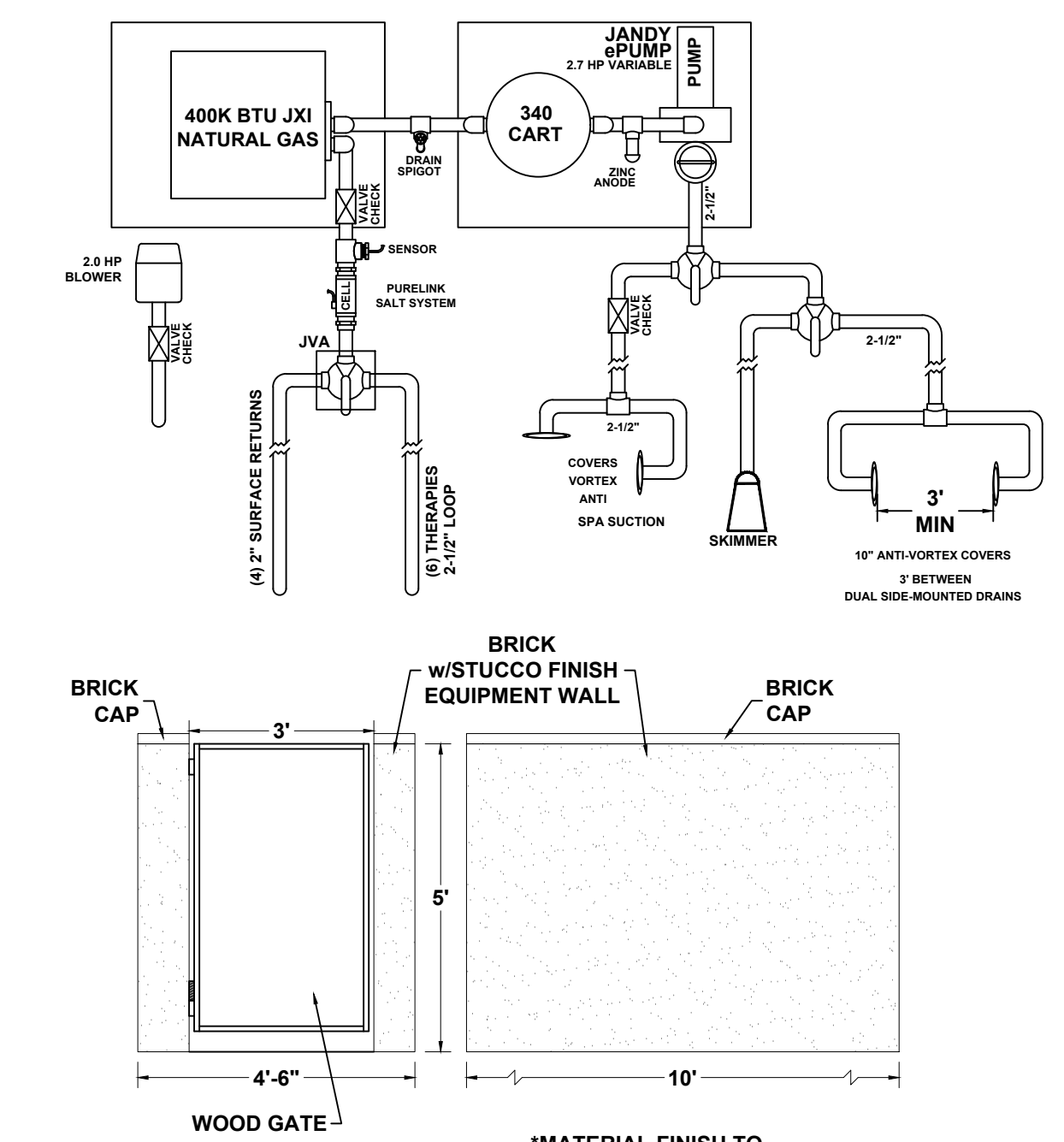
**CANTILEVER CONCRETE DECK**



**SITE PLAN**



**PLUMBING & SPECS.**

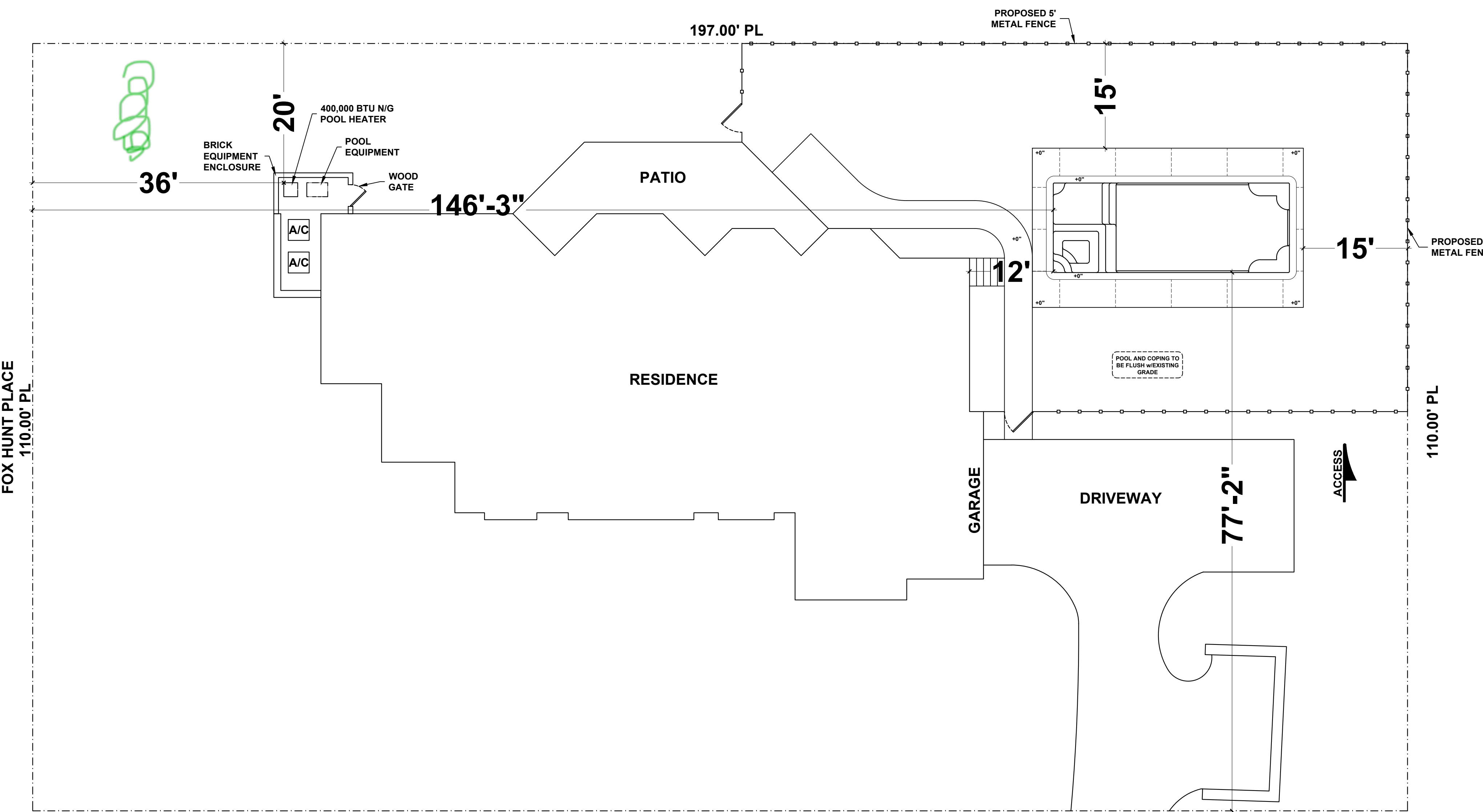


POOL SPECIFICATIONS	
SHELL NAME	GRAND PALACE 14 (3,040 LBS)
POOL DIMENSIONS	12'-10" x 33'-10"
POOL DEPTHS	3'-6" x 6'-6"
POOL SURFACE AREA	434 SF
POOL PERIMETER	120'
POOL VOLUME	10,700 GALLONS
SPA SPECIFICATIONS	
SHELL NAME	5'-11" x 6'-6"
SPA DIMENSIONS	5'-11" x 6'-6"
SPA SURFACE AREA	INC.
SPA PERIMETER	INC.
SPA VOLUME	INC.
EQUIPMENT	
CIRCULATION PUMP	2.7 HP (VARIABLE) PUMP
AUX. PUMP 1	340 CARTRIDGE
FILTER	400,000 BTU NATURAL GAS
HEATER	PURELINK SALT SYSTEM
SANITATION CONTROLS	JANDY RS-PS4
JVA	(3)
SPA BLOWER	YES
POOL RETURNS	(4)
SPA THERAPIES	(5)
ELECTRIC	
POOL LIGHT	(3) 12W COLOR LEDS
SPA LIGHT	(1) 12W COLOR LED
STEEL & GUNITE	
BENCHES & STEPS	-
ROCK NOTCHES	-
6" RAISED WALL	-
12" RAISED WALL	-
18" RAISED WALL	-
24" RAISED WALL	-
RAISED SPA SLEEVES	-
WATER FEATURES	
SHEER DESCENTERS	-
FOUNTAINS	-
WATER BOWLS	-
WATERFALLS	-
DECK	
DECK MATERIAL	BY OTHERS
DECK COLOR	BROOM FINISH CONCRETE
COPING MATERIAL	SEE COLOR SELECTION SHEET
NEW DECK (CONTRACT)	-
NEW DECK (PLAN)	-
EXISTING DECK AREA	-
DECK SLEEVES	-
TILE	
RAISED WALL FACING	-
SPILLWAY TILE	-
TILE INSERTS	-
INTERIOR	
INTERIOR FINISH TYPE	FIBERGLASS SHELL
INTERIOR FINISH COLOR	PER SHELL CONTRACT
MISCELLANEOUS	
MISC.	-
MISC.	-
MISC.	-
BARRIERS	
BARRIERS	BY OWNERS
CLOSURES	BY OWNERS
STARTUP	
TOTAL VOLUME	10,700 GALLONS
CLEANING SYSTEM	MANUAL
POOL COVER	-
INTERIOR BRUSHING	N/A
POOL SERVICE	30 DAYS

PLUMBING: ALL PLUMBING IS REQUIRED TO HAVE TRACER WIRE (BLUE TRACER WIRE)



**PLOT PLAN**



FOX HUNT PLACE  
110.00' PL

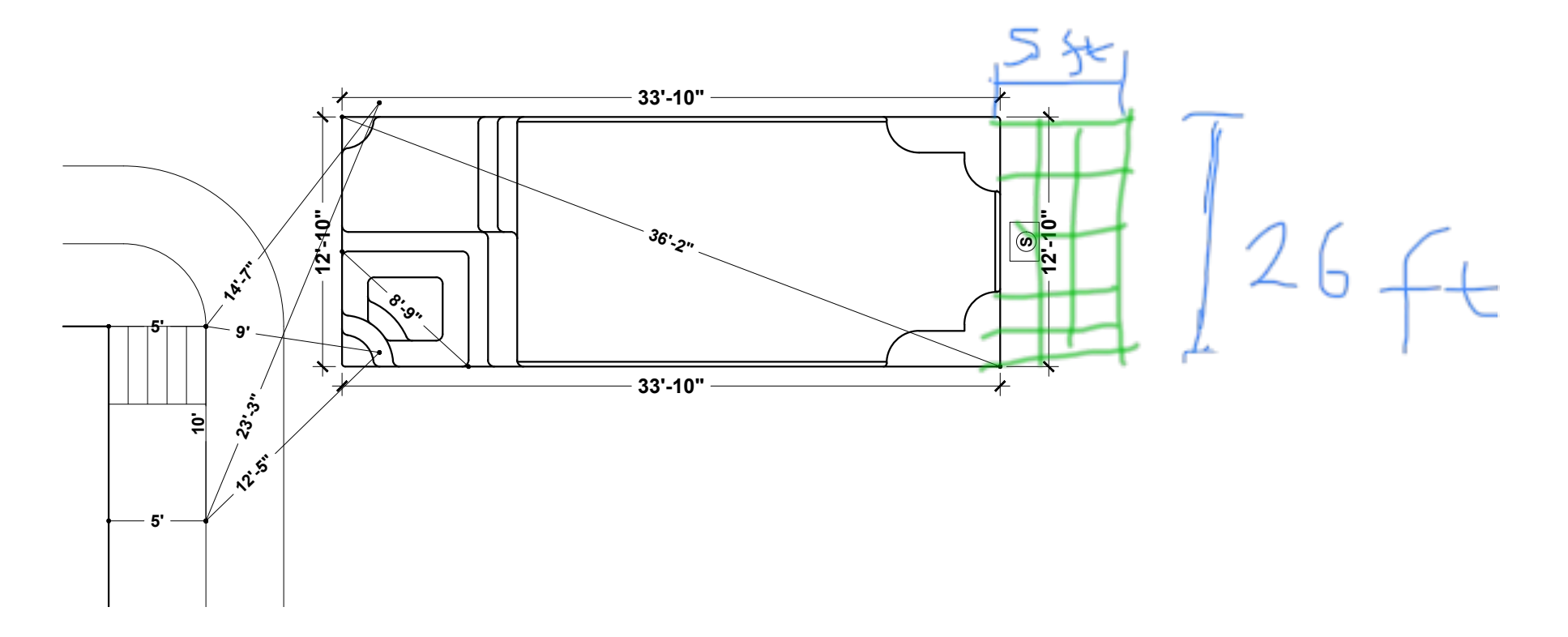
197.00' PL  
ARBORETUM DRIVE

\*\*NOTE: PLANS ARE FOR REFERENCE, POOL TO BE INSTALLED ACCORDING TO MANUFACTURER'S INSTALLATION GUIDE\*\*

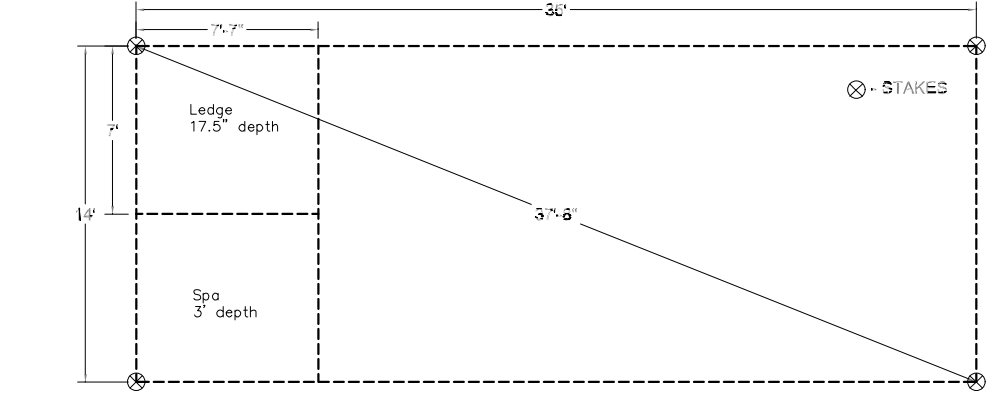
SCALE: 1/8"=1'-0"

**LAYOUT PLAN**

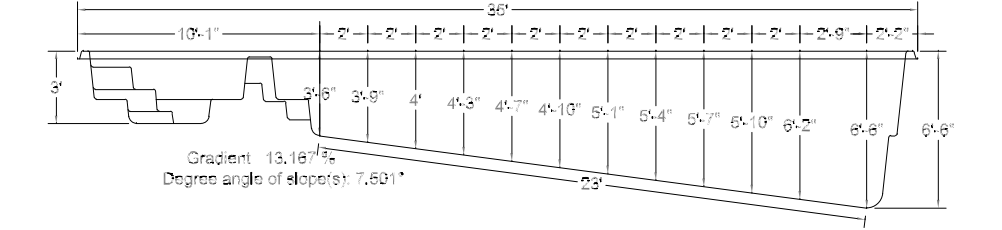
NOTE: LAYOUT DIMENSIONS ARE TO WATERLINE



**EXCAVATION DIMENSIONS**

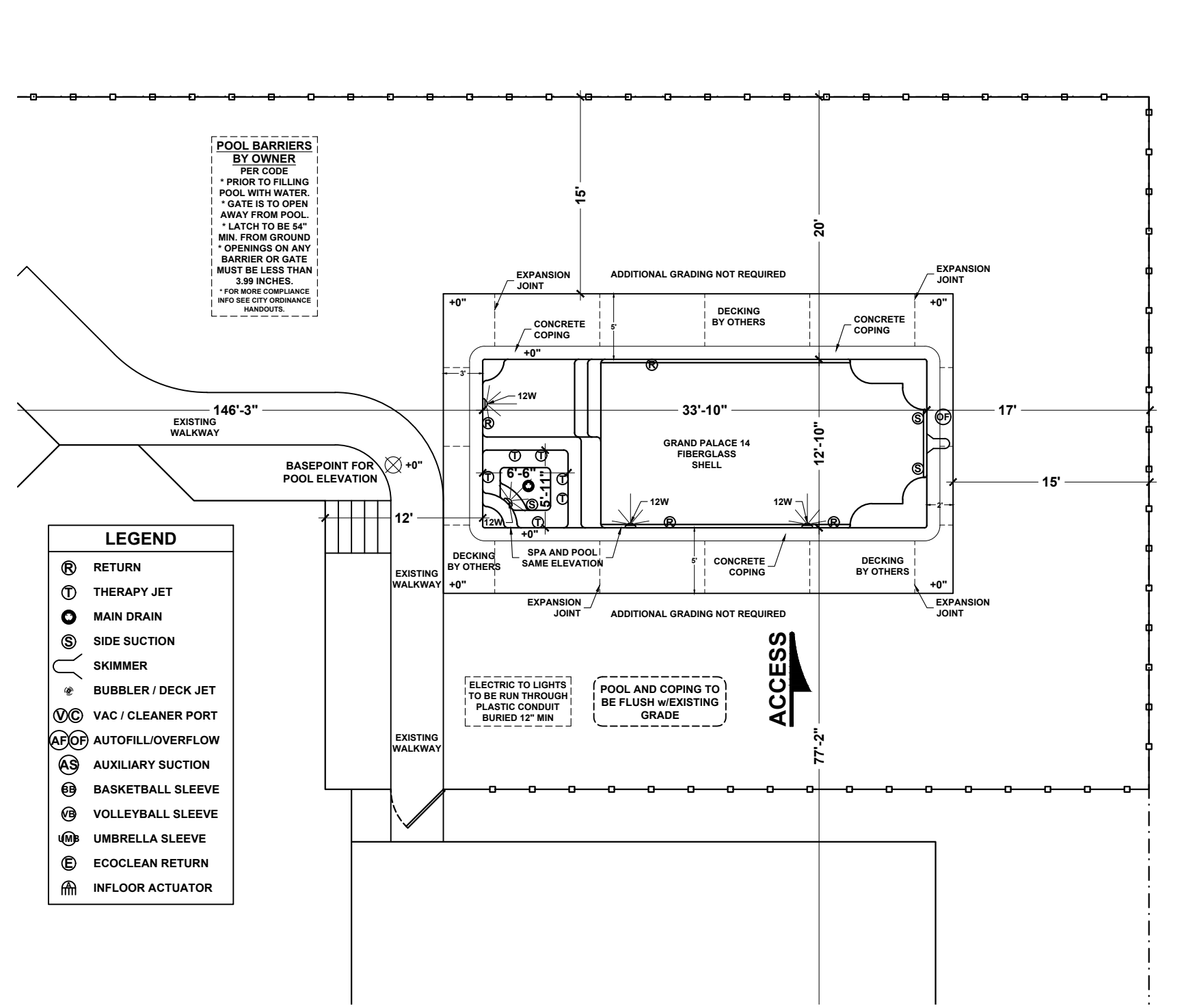


**POOL SHELL DEPTH DIMENSIONS**



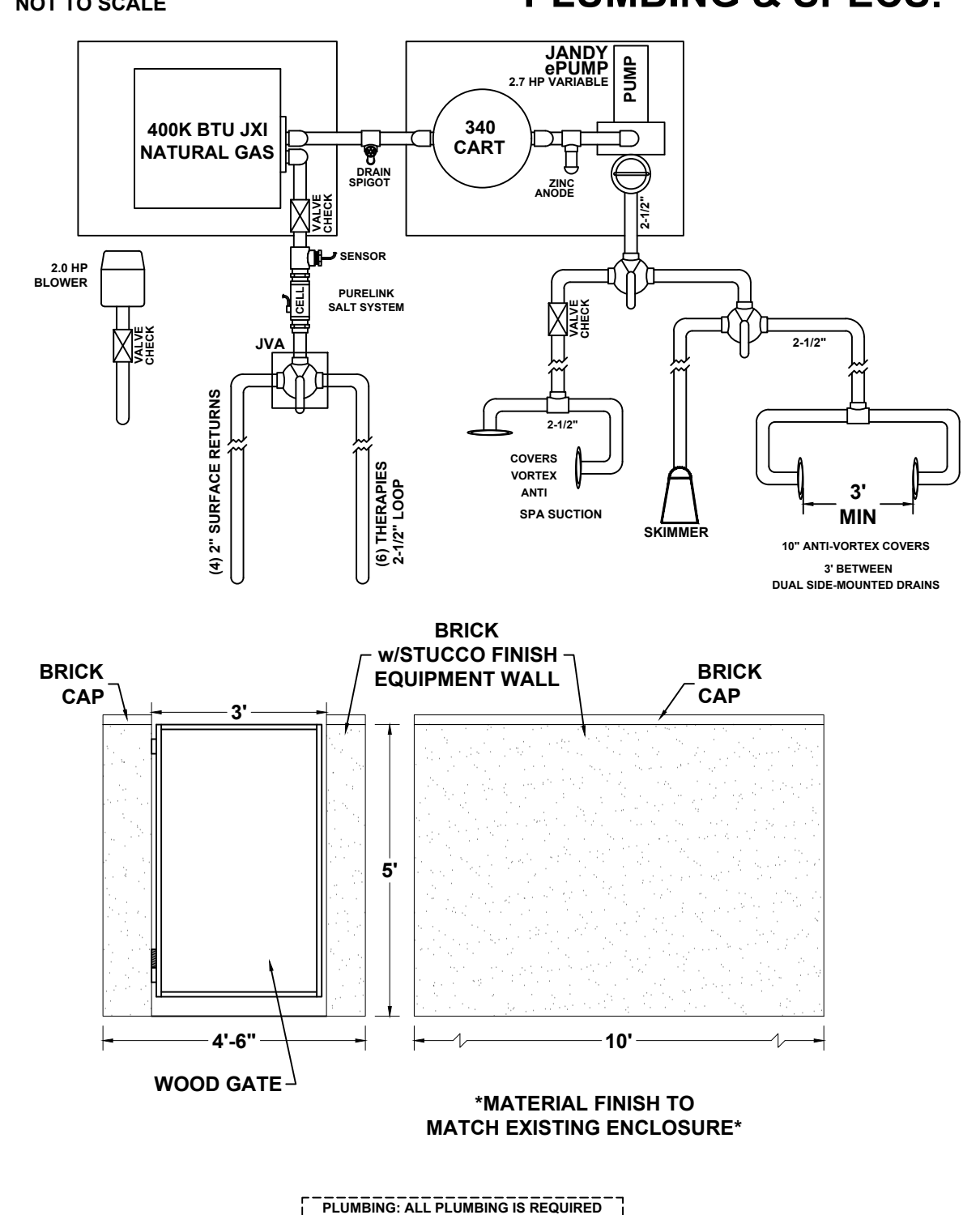
SCALE: 1"=10'-0"

**SITE PLAN**



- LEGEND**
- ⊕ RETURN
  - ⊕ THERAPY JET
  - ⊕ MAIN DRAIN
  - ⊕ SIDE SUCTION
  - ⊕ SKIMMER
  - ⊕ BUBBLER / DECK JET
  - ⊕ VAC / CLEANER PORT
  - ⊕ AUTO FLOW
  - ⊕ AUXILIARY SUCTION
  - ⊕ BASKETBALL SLEEVE
  - ⊕ VOLLEYBALL SLEEVE
  - ⊕ UMBRELLA SLEEVE
  - ⊕ ECO CLEAN RETURN
  - ⊕ INFLOOR ACTUATOR

**PLUMBING & SPECS.**

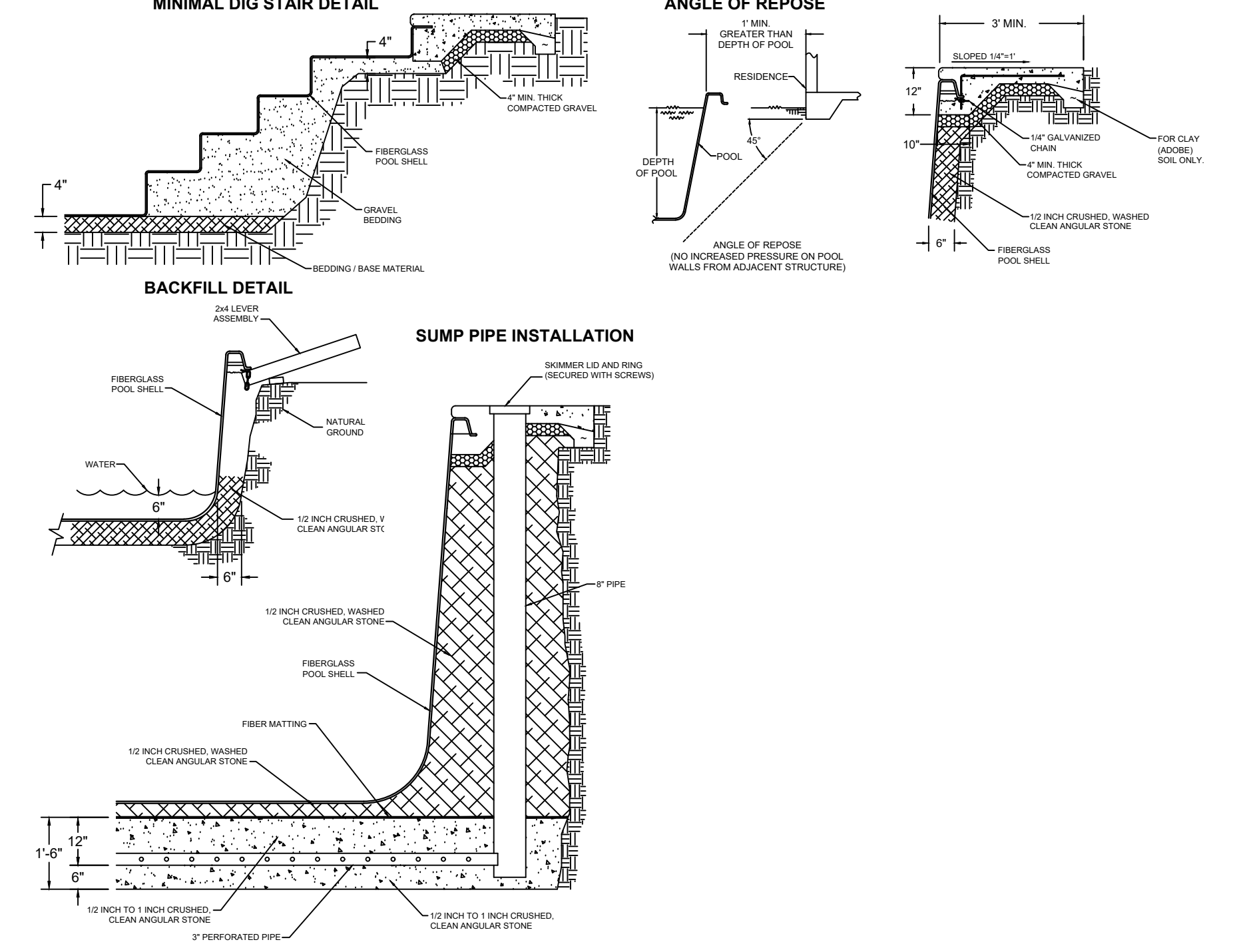


POOL SPECIFICATIONS	
SHELL NAME	GRAND PALACE 14 (3,040 LBS)
POOL DIMENSIONS	12'-10" x 33'-10"
POOL DEPTHS	3'-6" x 6'-6"
POOL SURFACE AREA	434 SF
POOL PERIMETER	120'
POOL VOLUME	10,700 GALLONS
SPA SPECIFICATIONS	
SHELL NAME	5'-11" x 6'-6"
SPA DIMENSIONS	5'-11" x 6'-6"
SPA SURFACE AREA	INC.
SPA PERIMETER	INC.
SPA VOLUME	INC.
EQUIPMENT	
CIRCULATION PUMP	2.7 HP (VARIABLE) PUMP
AUX. PUMP 1	3/4 CARTRIDGE
FILTER	400,000 BTU NATURAL GAS
HEATER	PURELINK SALT SYSTEM
SANITATION CONTROLS	JANDY RS-PS4
JVA	(3)
SPA BLOWER	YES
POOL RETURNS	(4)
SPA THERAPIES	(5)
ELECTRIC	
POOL LIGHT	(3) 12W COLOR LEDS
SPA LIGHT	(1) 12W COLOR LED
STEEL & GUNITE	
BENCHES & STEPS	-
ROCK NOTCHES	-
6" RAISED WALL	-
12" RAISED WALL	-
18" RAISED WALL	-
24" RAISED WALL	-
RAISED SPA SLEEVES	-
WATER FEATURES	
SHEER DESCENTERS	-
FOUNTAINS	-
WATER BOWLS	-
WATERFALLS	-
DECK	
DECK MATERIAL	BY OTHERS
DECK COLOR	BROOM FINISH CONCRETE
COPING MATERIAL	SEE COLOR SELECTION SHEET
NEW DECK (CONTRACT)	-
NEW DECK (PLAN)	-
EXISTING DECK AREA	-
DECK SLEEVES	-
TILE	
RAISED WALL FACING	-
SPILLWAY TILE	-
TILE INSERTS	-
INTERIOR	
INTERIOR FINISH TYPE	FIBERGLASS SHELL
INTERIOR FINISH COLOR	PER SHELL CONTRACT
MISCELLANEOUS	
MISC.	-
MISC.	-
MISC.	-
BARRIERS	
BARRIERS	BY OWNERS
CLOSURES	BY OWNERS
STARTUP	
TOTAL VOLUME	10,700 GALLONS
CLEANING SYSTEM	MANUAL
POOL COVER	-
INTERIOR BRUSHING	N/A
POOL SERVICE	30 DAYS

PLUMBING: ALL PLUMBING IS REQUIRED TO HAVE TRACER WIRE (BLUE TRACER WIRE)

**SHEET: SUPPLEMENTAL NOT TO SCALE**

**TYPICAL DETAILS**



REVISED  
ISSUE DATE:  
3-24-25  
JOB # 1146